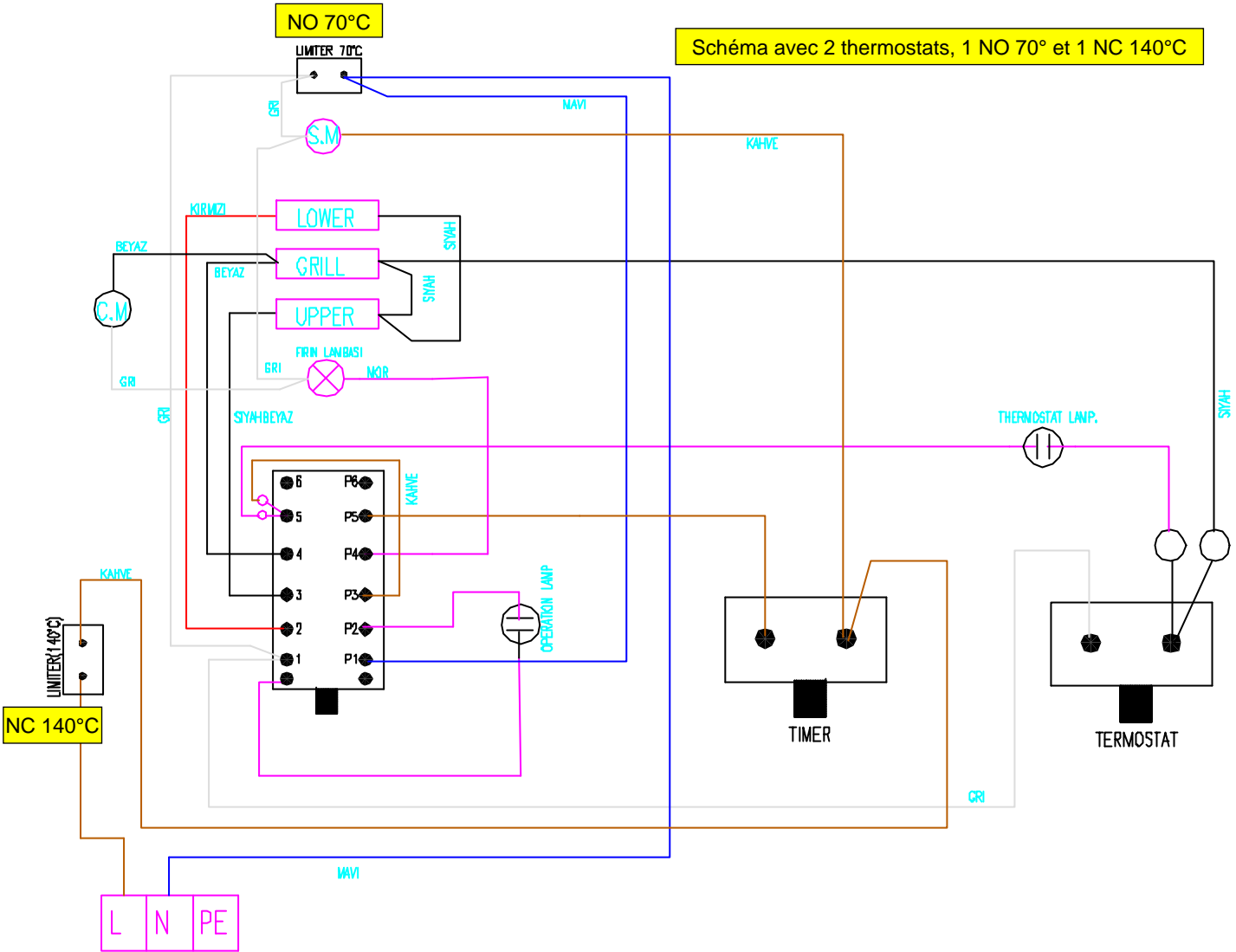


Schéma avec 2 thermostats, 1 NO 70°C et 1 NC 140°C

TÜRKÇE	ENGLISH
MAVİ	BLUE
SIYAH	BLACK
KIRMIZI	RED
SIYAHBEYAZ	BLACKWHITE
KAHVE	BROWN
BEYAZ	WHITE
MOR	PURPLE
GRI	GREY
PENBE	PINK
KIRMIZIBEYAZ	REDWHITE
MAVİBEYAZ	BLUEWHITE
KAHVEBEYAZ	BROWNWHITE



SCHEMA avec 1 Thermostat NC 140°C

TURKCE	ENGLISH
MAVI	BLUE
SIYAH	BLACK
KIRMIZI	RED
SIYAHBEYAZ	BLACKWHITE
KAHVE	BROWN
BEYAZ	WHITE
MOR	PURPLE
GRI	GREY
PEMBE	PINK
KIRMIZIBEYAZ	REDWHITE
MAVIBEYAZ	BLUEWHITE
KAHVEBEYAZ	BROWNWHITE

